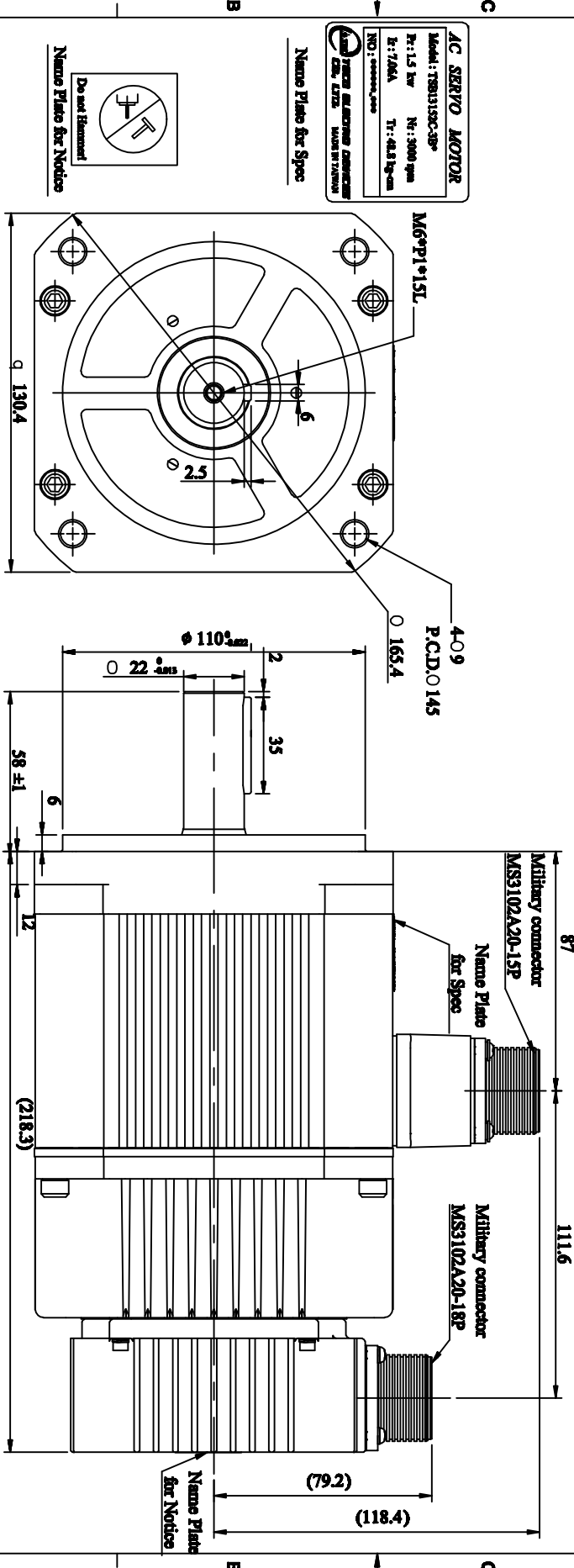


Model: TSB13152C-3B\*

No. Item	Symbol	Unit	Specification	No. Item	Symbol	Unit	Specification
1 Drive	-	-	Regular Wave	13 Rotor Inertia	J-M	kg-cm <sup>2</sup>	6.76±10%
2 Cooling Method	-	-	Totally Enclosed	14 Rated Power Rate	Q-R	Kw/s	33.83
3 Exciting Method	-	-	Permanent Magnet	15 Resistance	Ra	Ω	0.653±10%/2φ
4 Resolution	-	-	NOTE2	16 Inductance	L	mH	3.58±10%/2φ
5 Rated Output	P-R	W	1.5KW	17 Mech. Time Constant	Tm	ms	1.12±10%
6 Rated Torque	T-R	N-m	4.782	18 Elect. Time Constant	Te	ms	5.48±10%
7 Max. Torque	T-max	N-m	14.327	19 Insulation Class	-	°C	Class B
8 Rated Speed	N-R	rpm	3000	20 Operation Temp.	T	%	0~40
9 Rated Current	I-R	A	7.06	21 Storage Temp.	RH	%	<90
10 Max. Current	I-max	A	21.2	22 Storage Humid.	T	°C	-20~60°
11 Torque Constant	Kt	N-m/A	0.74±10%	23 Weight	RH	%	<90
12 Back emf (at 1800rpm)	Vemf	Volts	80.54±10%/2φ	24	W	kgw	9.35

**Notes:**  
**1. Motor to be IP67**  
**(excluding the shaft opening & connectors)**  
**2. Encoder TYPE:2500ppr,8192ppr**  
**17bit ,15bit**



STANDARD TOLERANCE	REV	DESCRIPTION	SIGNATURE	DATE	APVD	CHKD	CHKD	DWN	SIGNATURE	DATE	SCALE	2/5	UNIT	m m	NAME	TITLE	Dwg. Design	DWG. NO.	DTSB13152C3B*
X X XX ANGLE																			
±0.5 ±0.2 ±0.06 ±30°									Mitsubishi	03-06-13	3RD A.P				Servo Motor Outline Drawing	TSB13152C-3B*			